



# ATH 1603 M, DN 250 ISO-F, External drive electronics, Water cooled, Non-heated

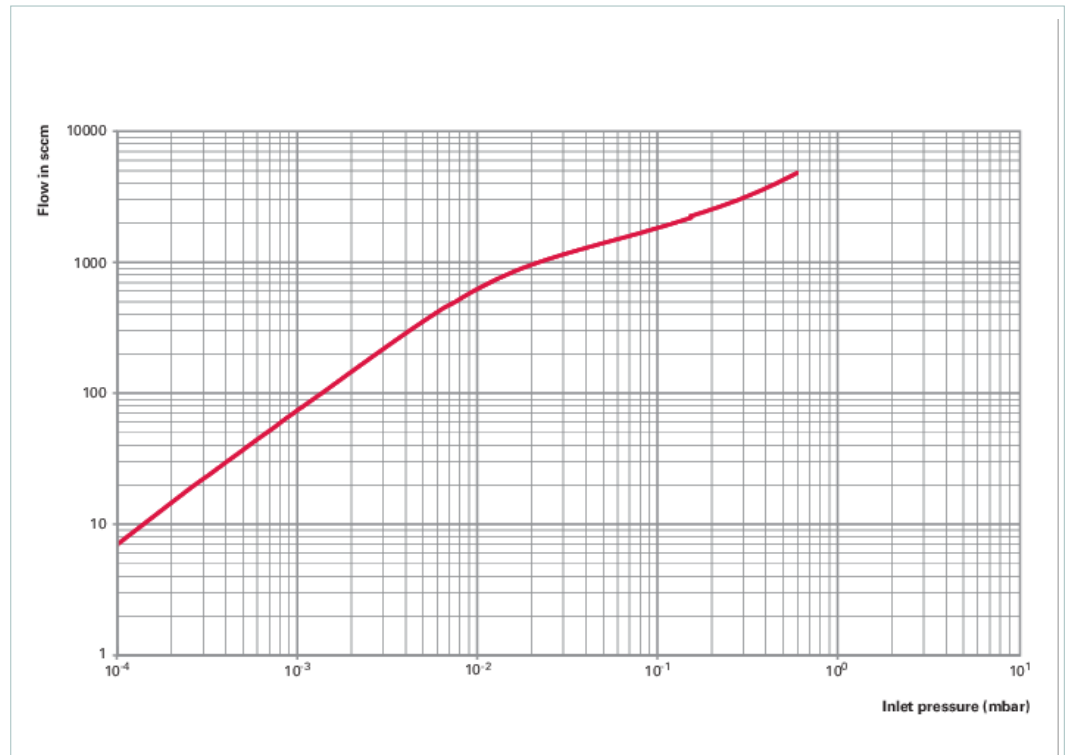
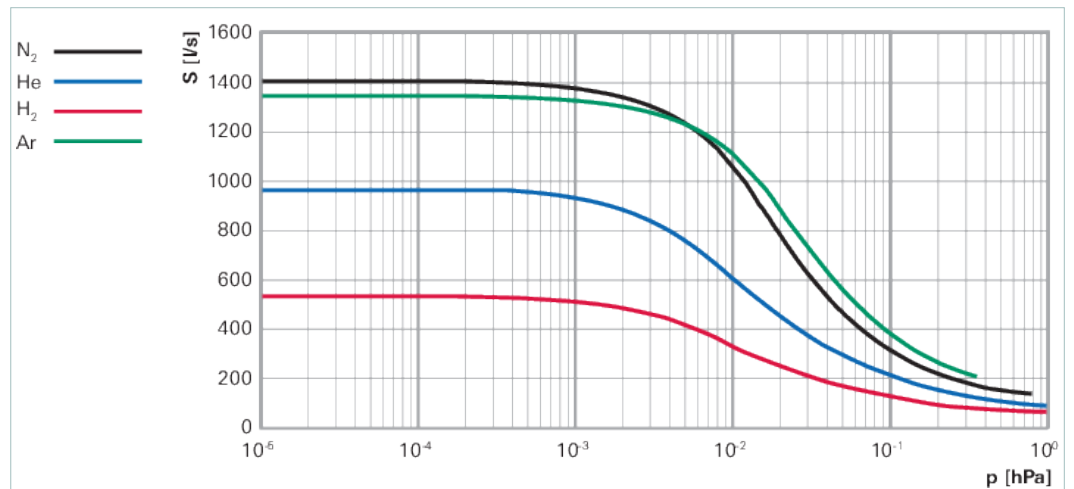
ATH 1603 M, DN 250 ISO-F, External drive electronics, Water  
cooled, Non-heated



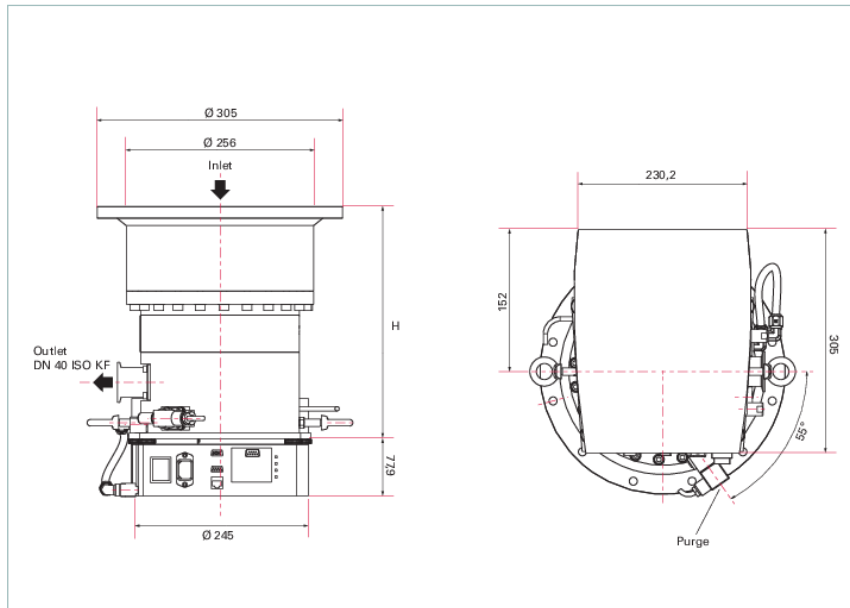
Similar Image

## ATH 1603 M, DN 250 ISO-F, External drive electronics, Water cooled, Non-heated

- 5-axis magnetically levitated turbopump with drag stage for a pump speed of up to 1400 l/s for N<sub>2</sub>
- DN 250 ISO-F inlet flange
- Operation with Magpower external drive electronics
- Installation in any orientation
- Water cooled, Non-heated
- CE marked and ROHS compliant



## Dimensions



H 317.2 mm

Technical Data	ATH 1603 M, DN 250 ISO-F, External drive electronics, Water cooled, Non-heated
Bearing	Magnetically Levitated
Compression ratio for Ar	$> 1 \cdot 10^8$
Compression ratio for H <sub>2</sub>	$> 5 \cdot 10^2$
Compression ratio for He	$> 4 \cdot 10^4$
Compression ratio for N <sub>2</sub>	$> 1 \cdot 10^8$
Cooling method	Water
Cooling water consumption	1 l/m
Cooling water temperature	15-25 °C
Cooling water temperature max.	40 °C   104 °F   313 K
Electronic drive unit	External drive electronics
Flange (in)	DN 250 ISO-F
Flange (out)	DN 40 ISO-KF
Fore-vacuum max. for N <sub>2</sub>	1.7 hPa   1.27 Torr   1.7 mbar
Gas throughput for Ar	20.3 hPa l/s   15.22 Torr l/s   20.3 mbar l/s
Gas throughput for H <sub>2</sub>	$> 67.6$ hPa l/s   $> 50.7$ Torr l/s   $> 67.6$ mbar l/s
Gas throughput for He	$> 67.6$ hPa l/s   $> 50.7$ Torr l/s   $> 67.6$ mbar l/s
Gas throughput for N <sub>2</sub>	67.6 hPa l/s   50.7 Torr l/s   67.6 mbar l/s
Interfaces	Via External drive electronics
Mounting orientation	in any orientation
Operating voltage	200-240 V AC, 50/60 Hz
Power consumption at ultimate pressure	300 W
Pumping speed for Ar	1350 l/s
Pumping speed for H <sub>2</sub>	540 l/s
Pumping speed for He	970 l/s
Pumping speed for N <sub>2</sub>	1400 l/s
Rotation speed $\pm 2$ %	39,000 rpm   39,000 min <sup>-1</sup>
Run-up time	< 6 min
Separate electronic drive unit	YES
Ultimate pressure	$< 6 \cdot 10^{-9}$ hPa   $< 4.5 \cdot 10^{-9}$ Torr   $< 6 \cdot 10^{-9}$ mbar
Weight	34 kg   74.96 lb

## Order number

ATH 1603 M

Y2662100

<b>Accessories</b>	
<b>Electronic controllers</b>	
Magpower controller	<b>120917</b>
<b>Inlet screen</b>	
Aluminum inlet screen kit for DN250	<b>111640</b>
Stainless inlet screen kit for DN250 - M 5	<b>108762</b>
<b>Interconnecting cable (pump to Magpower external drive electronics)</b>	
Interconnecting cable (pump to Magpower external drive electronics), L = 1.0 m	<b>A215300-010-C6-D</b>
Interconnecting cable (pump to Magpower external drive electronics), L = 10.0 m	<b>A215300-100-C6-D</b>
Interconnecting cable (pump to Magpower external drive electronics), L = 20.0 m	<b>A215300-200-C6-D</b>
Interconnecting cable (pump to Magpower external drive electronics), L = 3.5 m	<b>A215300-035-C6-D</b>
Interconnecting cable (pump to Magpower external drive electronics), L = 5.0 m	<b>A215300-050-C6-D</b>
<b>Mounting kits</b>	
Mounting bolts for ISO-F (for ATH 1600 M, DN 200/250) with centering ring	<b>110675</b>
Mounting bolts for ISO-F (for ATH 500 M, DN160; ATH 1600 M, DN 200/250; ATH 2300 M, ATH 2800 M, ATH 2804 M, DN 250) without centering ring	<b>110676S</b>
<b>Power cord</b>	
Power cord 2.5 m Europe standard 200 - 240 V AC	<b>A328405</b>
Power cord 2.5 m US standard 200 - 240 V AC	<b>A331729</b>
<b>Valve cable (external drive electronics to venting valve)</b>	
Valve cable (Magpower external drive electronics to venting valve), L = 1.0 m	<b>A462403-010</b>
Valve cable (Magpower external drive electronics to venting valve), L = 10.0 m	<b>A462403-100</b>
Valve cable (Magpower external drive electronics to venting valve), L = 20.0 m	<b>A462403-200</b>
Valve cable (Magpower external drive electronics to venting valve), L = 3.5 m	<b>A462403-035</b>
Valve cable (Magpower external drive electronics to venting valve), L = 5.0 m	<b>A462403-050</b>
<b>Venting valves and other accessories</b>	
Air venting valve (for OBC V4 and Magpower)	<b>114280</b>
Dust filter	<b>106229</b>
Purge valve 50 sccm	<b>111921S</b>
Water inlet valve 24 V DC	<b>108668</b>

## **VACUUM SOLUTIONS FROM A SINGLE SOURCE**

Pfeiffer Vacuum stands for innovative and custom vacuum solutions worldwide, technological perfection, competent advice and reliable service.

## **COMPLETE RANGE OF PRODUCTS**

From a single component to complex systems:

We are the only supplier of vacuum technology that provides a complete product portfolio.

## **COMPETENCE IN THEORY AND PRACTICE**

Benefit from our know-how and our portfolio of training opportunities!

We support you with your plant layout and provide first-class on-site service worldwide.

Are you looking for a  
perfect vacuum solution?  
Please contact us:

**Pfeiffer Vacuum GmbH**  
Headquarters · Germany  
T +49 6441 802-0  
info@pfeiffer-vacuum.de

[www.pfeiffer-vacuum.com](http://www.pfeiffer-vacuum.com)

All data subject to change without prior notice.

**PFEIFFER**  **VACUUM**